

DS-2DE1C200IW-DE3(F1)(S7)
1-inch 2 MP IR Mini PT Dome Network Camera



Hikvision DS-2DE1C200IW-DE3(F1)(S7) 2 MP IR PT Network Camera is ideal for indoor HD monitoring in small businesses and offices and for close range monitoring in warehouses, lobbies, server rooms, garages, etc.

- High quality imaging with 2 MP resolution
- Digital WDR, HLC, BLC, 3D DNR
- Hik-Connect cloud service and APP for remote management and views of devices
- Good night-time performance with up to 15 m IR
- Two-way audio with built-in microphone and speaker
- Supports microSD/microSDHC/microSDXC card, up to 256 GB

▪ Specification

Camera	
Image Sensor	1/2.7" Progressive Scan CMOS
Max. Resolution	1920 × 1080
Min. Illumination	Color: 0.01 Lux @ (F2.0, AGC ON), B/W: 0.005Lux @ (F2.0, AGC ON), 0 Lux with IR
Lens	
Focal Length	4 mm
FOV	Horizontal FOV 90°, vertical FOV 48°, diagonal FOV 107°
Aperture	F2.0
Illuminator	
Supplement Light Type	IR
Supplement Light Range	IR Distance: up to 15 m
IR Wavelength	850 nm
PTZ	
Movement Range (Pan)	0° to 350°
Movement Range (Tilt)	-15° to 100°
Pan Speed	Up to 20°/s
Tilt Speed	Up to 15°/s
Video	
Main Stream	50 Hz: 60 fps (1920 × 1080, 1280 × 720)
Sub-Stream	50 Hz: 60 fps (640 × 480, 640 × 360)
Video Compression	H.265, H.264, MJPEG
Video Bit Rate	32 Kbps to 8 Mbps
H.264 Type	Baseline Profile/Main Profile/High Profile
H.265 Type	Main Profile
Audio	
Audio Compression	G.711a law/G.711ulaw/G.722.1/G.726/MP2L2/AAC/PCM
Audio Bit Rate	AAC: 16 Kbps, 32 Kbps, 64 Kbps; MP2L2: 32 Kbps, 40 Kbps, 48 Kbps, 56 Kbps, 64 Kbps, 80 Kbps, 96 Kbps, 112 Kbps, 128 Kbps, 144 Kbps, 160 Kbps; G.711a law: 64 Kbps
Audio Sampling Rate	8 kHz/16 kHz
Environment Noise Filtering	Yes
Network	
Protocols	IPv4/IPv6, HTTP, HTTPS, QoS, FTP, SMTP, UPnP, DNS, DDNS, NTP, RTSP, RTP, TCP/IP, UDP, DHCP, Bonjour
API	Open Network Video Interface (Version 18.12, Profile S, Profile G, Profile T), ISAPI, SDK, Hik-Connect
Image	
Image Settings	Saturation, brightness, contrast, and sharpness adjustable by client software or web browser
Wide Dynamic Range (WDR)	Digital WDR
Image Enhancement	BLC, HLC, 3D DNR
Interface	
Ethernet Interface	1 RJ45 10M/100M self-adaptive Ethernet port
On-board Storage	Built-in memory card slot, support microSD/microSDHC/microSDXC card, up to 256 GB
Built-in Microphone	1 built-in microphone
Built-in Speaker	1 built-in speaker

Reset	Yes
Event	
Basic Event	Motion detection
Linkage	Upload to FTP/memory card, notify surveillance center, send email, audible warning
General	
Power	5 VDC, Micro USB, Max. 5.5 W; PoE (802.3af)
Dimension	127 mm × 93.5 mm × 143 mm (5.00" × 3.68" × 5.63")
Weight	Approx. 275 g (0.61 lb.)
Material	Plastic
Operating Condition	-10 °C to 40 °C (-14 °F to 104 °F). Humidity 90% or less (non-condensing)
General Function	Mirror, password protection, watermark
Approval	
EMC	FCC SDoC (47 CFR Part 15, Subpart B); CE-EMC (EN 55032:2015, EN 61000-3-2:2019, EN 61000-3-3:2013, EN 50130-4:2011 +A1: 2014);
Safety	CB (IEC 60950-1:2005 + Am 1:2009 + Am 2:2013, IEC 62368-1:2014); CE-LVD (EN 62368-1:2014+A11:2017);
Environment	CE-RoHS (2011/65/EU); WEEE (2012/19/EU); Reach (Regulation (EC) No 1907/2006)
Protection	IP54

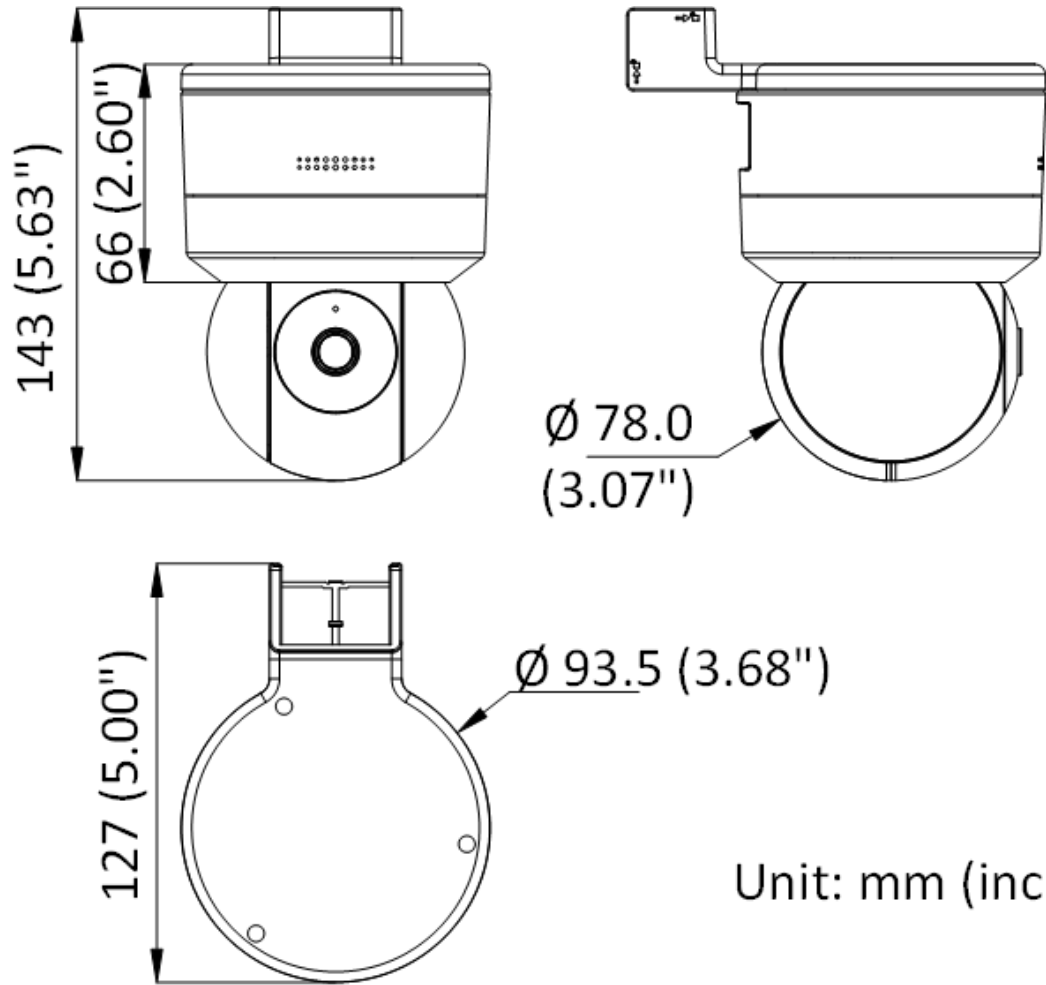
▪ DORI

The DORI (detect, observe, recognize, identify) distance gives the general idea of the camera ability to distinguish persons or objects within its field of view.

It is calculated based on the camera sensor specification and the criteria given by EN 62676-4:2015.

DORI	Detect	Observe	Recognize	Identify
Definition	25 px/m	63 px/m	125 px/m	250 px/m
Distance (Tele)	50 m (164.0 ft.)	20 m (65.6 ft.)	10 m (32.8 ft.)	5 m (16.4 ft.)

▪ Dimension



See Far, Go Further



www.hikvision.com
support@hikvision.com

